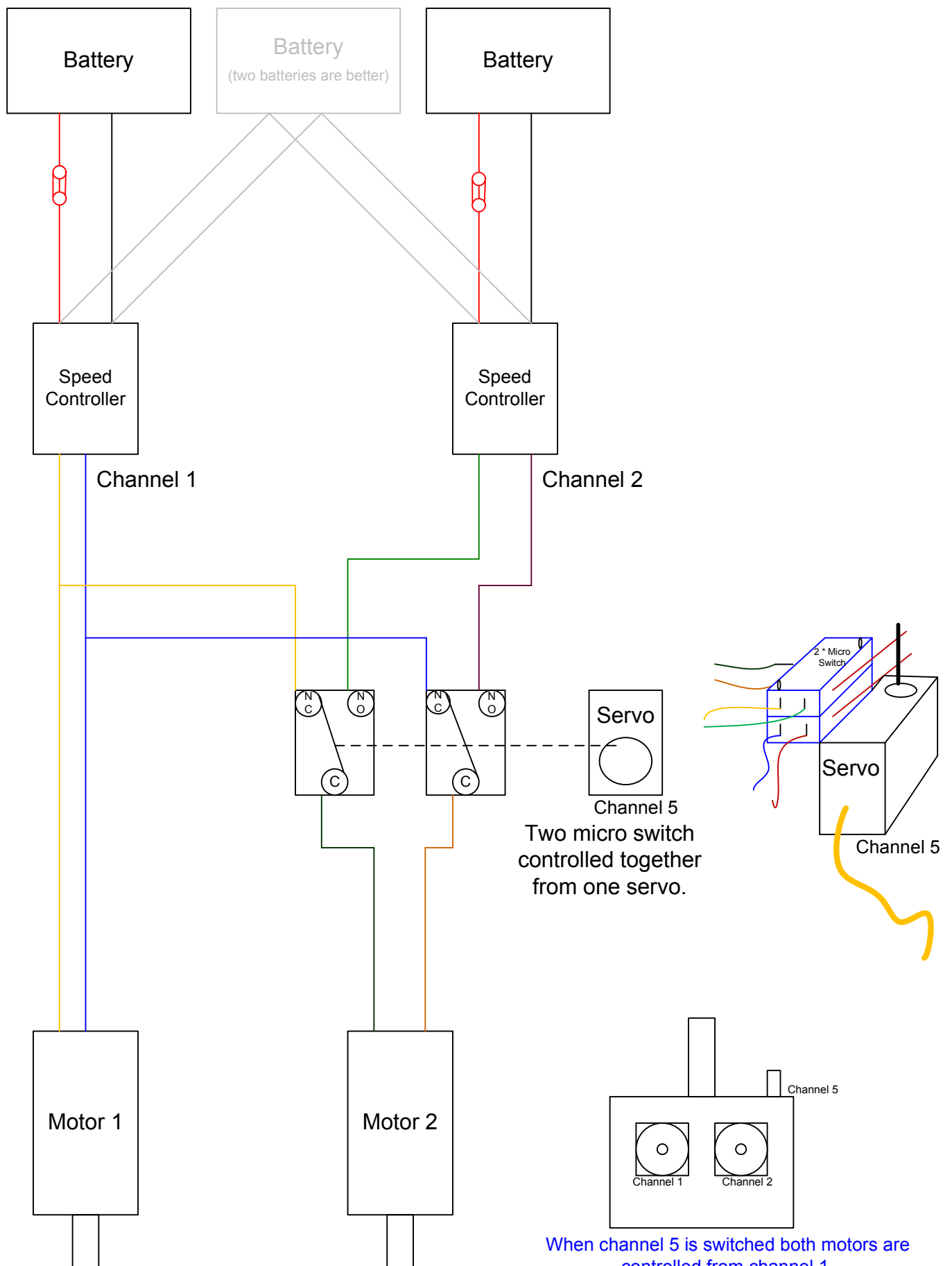


Radio Control Tank & single control



When channel 5 is switched both motors are controlled from channel 1.
 Note :- Make sure the speed controller is rated OK.